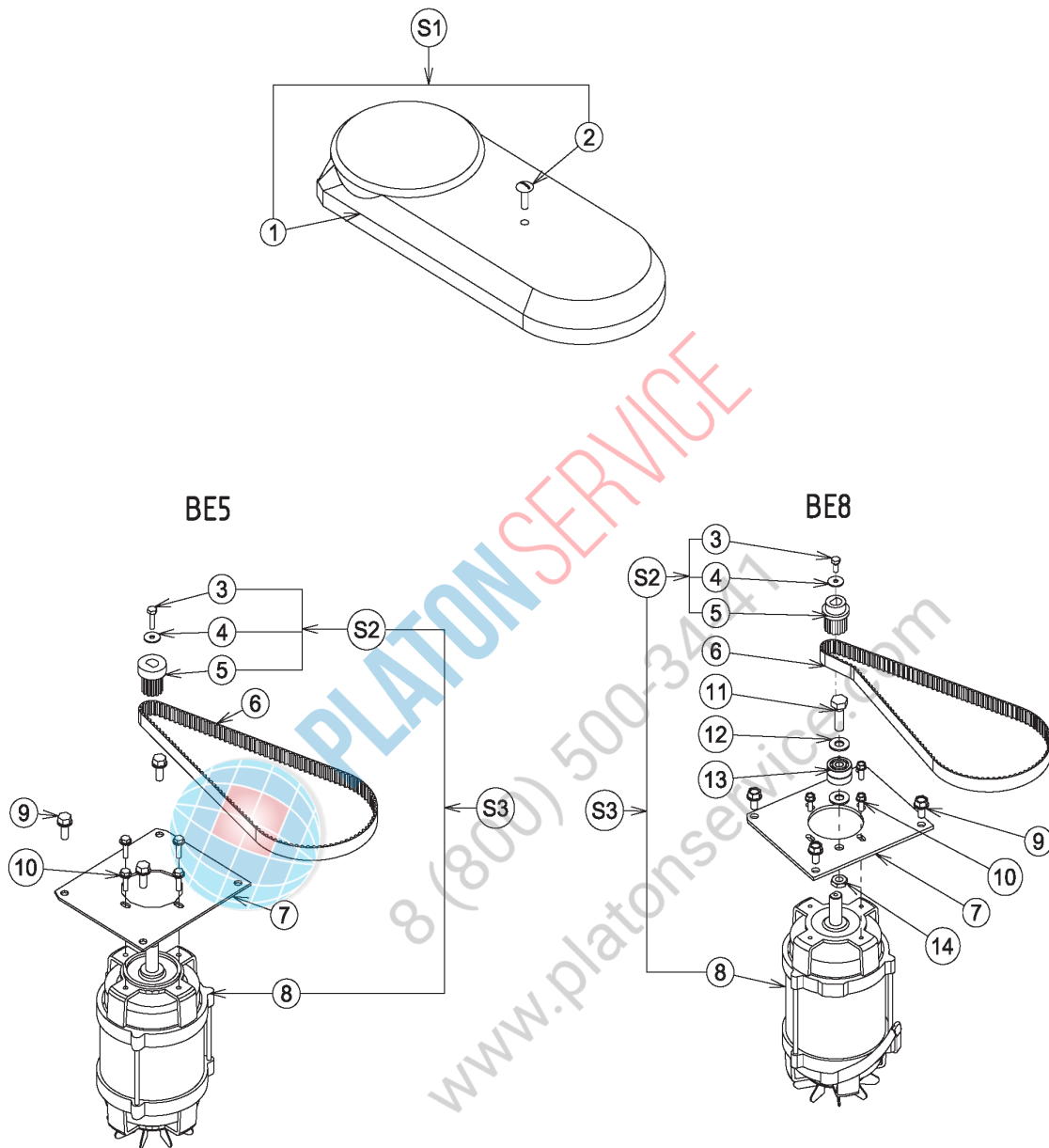


Vue écartée capot-moteur/ Exploded view hupper-motor Esploso - Coperchio/motore / Despiece Cubierta/motor _____

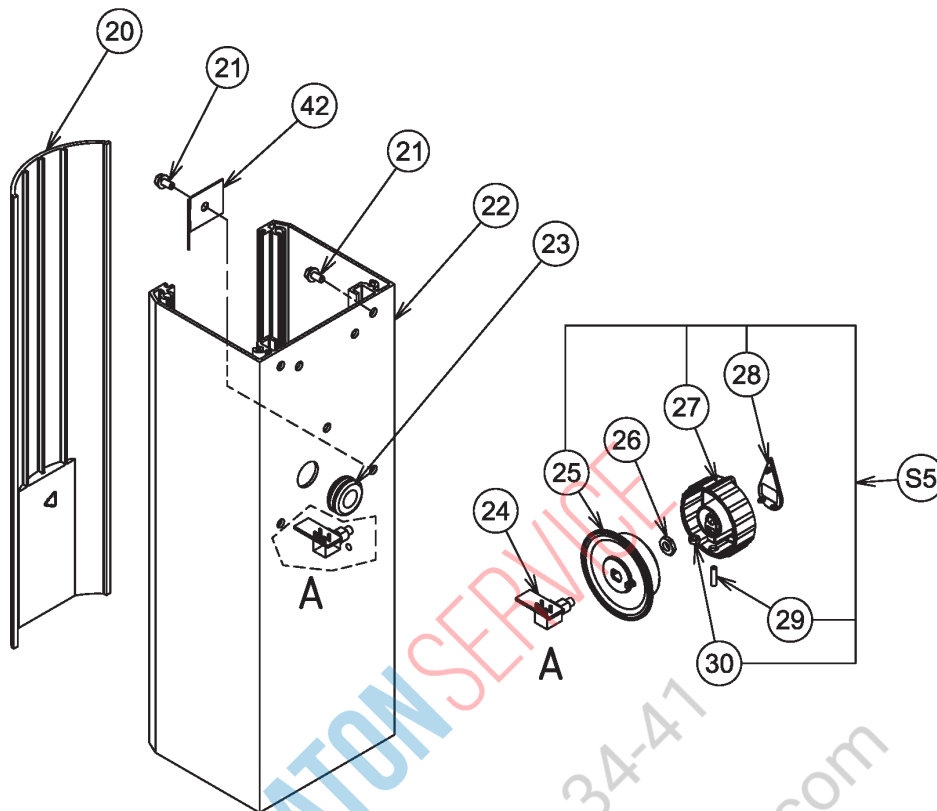


??????		603747									
??????		SPBE5YBE8Y		???????? 2		Exploded view hupper-motor					
.		Alias		S			.			(Euro)	
0001	000000								See S1		
0002	0U0237							SCREW; 10 PCS		22,43	
0003	0U0665							SCREW SS; M4X10, 10 PCS		19,54	
0004	0D2284					+		WASHER CS L4 GALV STL8B; SET 10 PCS		19,64	
0005	000000								See S2		
0006	0KQ691			S	A			DRIVE BELT; 240 XL 050		11,20	
0007	0D0087				D			BE5 MOTOR MOUNTING BRACKET		24,97	
0008	0D3568							MOTOR 3 230V 50 WRAPPED B7		154,30	
0009	0D0551							SCREW; 10 PCS		20,71	
0010	0D3027							TAPTITE SCREW H M4X12 (SET X 10)		20,26	
0011	0D2740							SCREW H M8X25 STLESS STL (SET X10)		22,53	
0012	0KQ524							WASHER; 10 PCS BMX60		20,27	
0013	0KQ560				A			BALL BEARING; 5 PCS, 608Z		30,96	
0014	0KQ523							NUT; 10 PCS		18,90	
00S1	0D7374			S				UPPER HOOD ASSEMBLY; BE5 BE8		36,44	
00S2	0KQ581			S	A			DRIVEN PULLEY		22,53	
00S3	0D1051							MOTOR BE5 1 230 50		156,30	

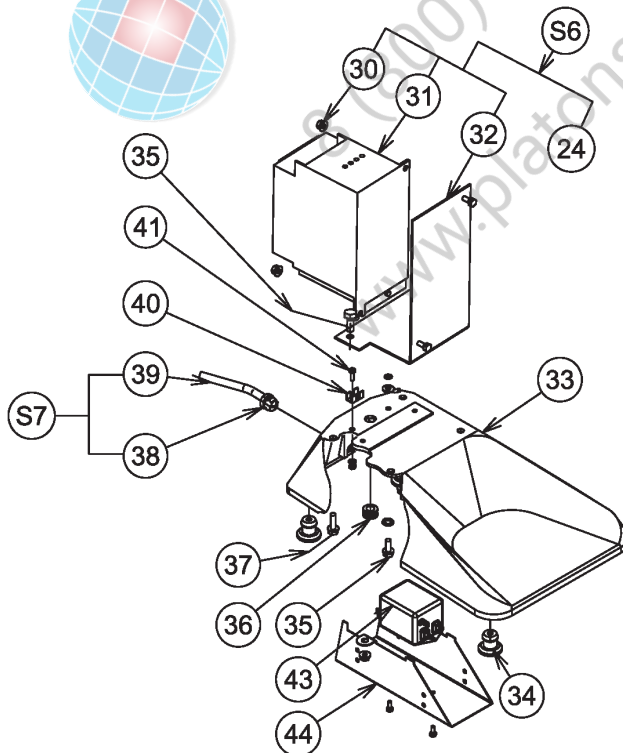


PLATON SERVICE
8 (800) 502-3447
www.platonservice.com

Vue éclatée colonne + socle / Exploded view column + stand
Explosionszeichnung - Säule + Gestell



SOUS ENSEMBLE SOCLE

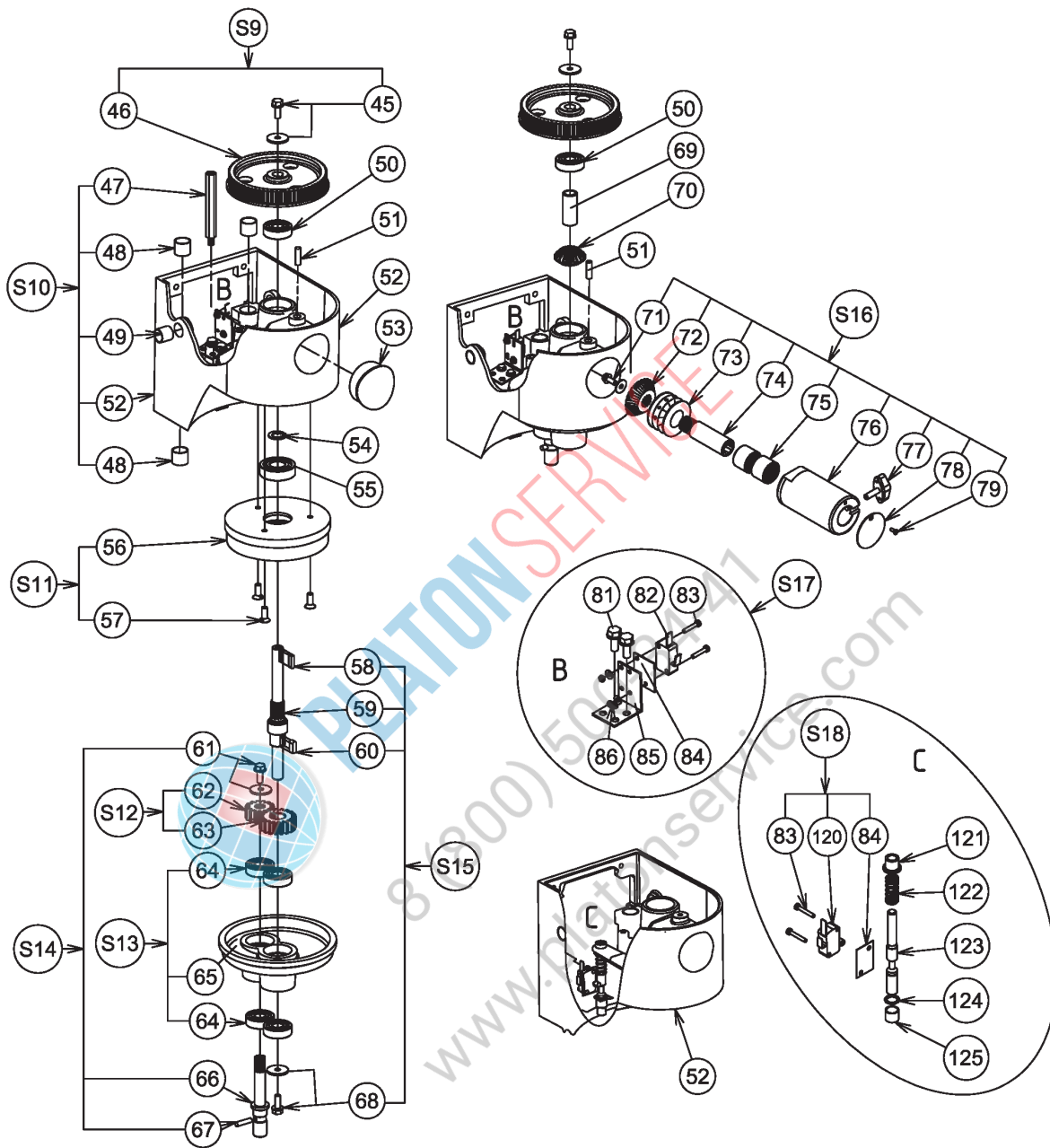


D

BE5 - BE8 12.2015

??????		603747									
??????		SPBE5YBE8Y		???????? 4		Exploded view column + stand					
.		Alias		S			.			(Euro)	
0020	0D7276								REAR HOOD; BE5		9,40
0020	0D7318								REAR HOOD: BE8		12,04
0021	0D0595								SCREW; 10 PCS		20,71
0022	0D0336								BE5 SAMIX COLUMN		83,43
0022	0D7320								COLUMN; BE8		120,80
0023	0D1211								BM10 GROMMET 140X200X30		3,28
0024	0D7321			S					POTENTIOMETER; BE5 BE8		105,60
0025	0D7334								BUTTON RING SUPPORT		5,17
0026	000000									See 24	
0027	000000									See S5	
0028	000000									See S5	
0029	0D0522						+		SCREW; 10 PCS		19,74
0030	0KL159								NUT; 10 PCS		18,37
0030	0U0665								SCREW SS; M4X10, 10 PCS		19,54
0031	0D3443								SPEED VARIATOR; 230V; BE5		238,50
0031	0D7422				A				SPEED VARIATOR; 115V; BE5 8		590,00
0032	0D7141				D				SUPPORT BRACKET VARIATOR ASSEMBLY		30,55
0033	0D1652				D				BASE; MICROSWITCH		129,90
0034	0D3565			S	A				PAD TR17; 4 PCS.		22,63
0035	0D0551								SCREW; 10 PCS		20,71
0036	0D1014								10 PCS GROMMET		25,17
0037	0D0555				D				SCREW; 10 PS		23,14
0038	0D3566						+		GROMMET SR 6P3 4 (SET X5)		25,48
0039	0D3310								CABLE H05 LG1700 + PLUG 2P +E		10,24
0040	0D3567				D				BRASS EARTH TERMINAL (SET X5)		19,22
0041	0D0520								PIN; 10 PCS		18,90
0041	0D0611				D				K55 SCREW TC 4X12		19,54
0041	0KL159								NUT; 10 PCS		18,37
0042	0D7725				D				BRACKET		15,33
0043	0D7793								FILTER		96,43
0044	0D7792				D				SUPPORT		50,75
00S5	0D7335			S					KNOB POTENTIOMETER		31,67
00S6	0D0476				D				BE5 VARIATOR 115 V		640,00
00S6	0D7337								SPEED CONTROL; CPL.		448,60
00S7	0D7375								SUPPLY CABLE; STD; BE5 BE8		43,75
00S7	0D7376				D				SUPPLY CABLE; UK VERSION; BE5 BE8		46,49

Vue éclatée Mécanisme / Exploded view - Mechanism Explosionszeichnung - Antrieb



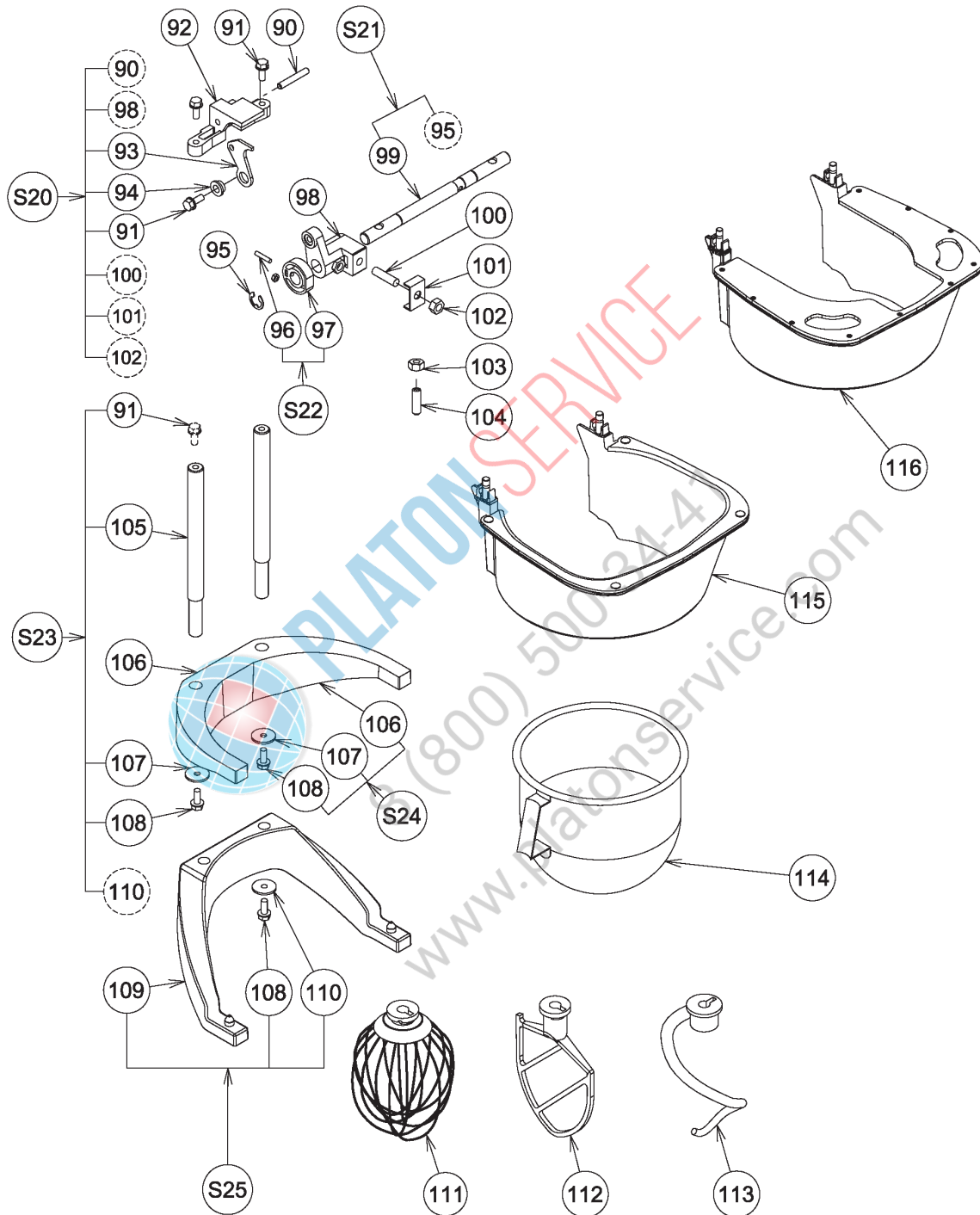
??????		603747									
??????		SPBE5YBE8Y		???????? 8		Exploded view - Mechanism					
.		Alias		S			.				(Euro)
0045	0D0513									WASHER; 10 PCS	18,58
0045	0KQ494									SCREW; 10 PCS	20,27
0046	000000									See S9	
0047	0U0574									PILLAR	5,70
0048	0D1022				D					SLEEVE; 16X22X16 5 PCS	37,25
0049	0D1007				D					5 PCS SLEEVE 14X16X10	16,47
0050	0D7339			S						BEARING; 6201 2RS	7,39
0051	0D0503									NUT; 10 PCS	18,90
0051	0D1702				D					SCREW; 10 PCS	20,17
0052	0D7338									BODY	351,20
0053	0D0712									BOUCHON P.A. BE5	4,44
0054	0D0639			S						CLIP; 10 PCS	19,22
0055	0KJ007			S	A					BALL BEARING; 6203 2 RS	4,28
0056	0D5078										
0057	0D0664									SCREW; 10 PCS	20,27
0058	0D0552									SPANNER; 4X4X16; SET 5PCS	19,33
0059	0D1829		0D6046	S						SHAFT; B7	80,79
0059	0D6046			S						ARBRE SOLAIRE SAV BE5	81,30
0060	0D0635									WEDGE 5X5X14; 5PCS	19,85
0061	0D7206				D					SCREW; M5X10; SET 10PCS	35,12
0061	0D7207			S	D	+				WASHER; M5; SET 10PCS	37,25
0062	0U0513			S						PLANET GEAR	5,60
0063	0U0514			S						SUN GEAR	7,82
0064	0D7339			S						BEARING; 6201 2RS	7,39
0065	0D3315				D					SHOTBLASTED PLANETARY XBE5	38,87
0066	0D1830			S						ARBRE PORTE OUTIL B7	26,80
0067	0D0396									PIN; 10 PCS	27,91
0068	0D0620									BM10 WASHER 24X6.2X2; 10 PCS	44,86
0068	0KQ494									SCREW; 10 PCS	20,27
0069	0D2181									ACCSSRY SOCKT SPACER	15,97
0070	0KQ421			S	A					BEVEL GEAR SAMIX R	35,83
0071	0D0537									SCREW; 10 PCS	19,22
0071	0D0546									WASHER; 10 PCS	18,17
0072	0KQ421			S	A					BEVEL GEAR SAMIX R	35,83
0073	0D6458									BUTEE A AIGUILLES; 17-30	19,74
0074	0D3312				D					ACCSSRY SOCKT SHAFT TYPE K XBE5	21,11

?????? 603747

?????? SPBE5YBE8Y ???????? 8 Exploded view - Mechanism

.		Alias		S		.		(Euro)
0075	0D7340						SOCKET HAS NEEDLES; SET 2PCS	25,38
0076	0D3517			D			K ACCESSORY HUB ASSY BE5	89,83
0077	0D7336			D			BLACK BUTTONK	17,63
0078	0D3883			D			OPERCULE BE10	8,02
0079	0D0663						T5/TR21 SCREW TF 3X10	19,11
0081	0U0665						SCREW SS; M4X10, 10 PCS	19,54
0082	000000						See S17	
0083	0KQ511						SCREW; 10 PCS	18,37
0084	0U0268						INSULATING PLATE	1,02
0085	000000						See S17	
0086	033986					+	SCREW; 10 PCS	18,06
0086	033987					+	SCREW; 10 PCS	18,27
00S9	0KQ582			S			DRIVEN PULLEY WITH SCREW BE5	38,67
0120	000000						See S18	
0121	0D7795						BEARING; 8X12X12 SET 5	26,69
0122	0KQ353						SPRING	1,68
0123	0D7796						SPINDLE	8,58
0124	0D6569			D			SPRING RING; 10E (JEU X10)	19,54
0125	0D7794						BEARING; 10X12X12 SET 5	29,44
0S10	0D7319						BODY ASSEMBLY BE5 BE8; BE5 BE8	428,30
0S11	0D0869			S			SAMIX R CROWN ASSY	34,71
0S12	0D0871			S	A		PLANETARY PINION; KIT; SAMIX R	38,27
0S13	0D3352			S			PLANETARY ASSY XBE5	105,60
0S14	0D0341			S			BE5 TOOL HOLDER SHAFT ASSY.	57,45
0S15	0D0870			S			BE5 SUN SHAFT	110,60
0S15	0D7342		0D0870	S			SHAFT WITHOUT PA ASSEMBLY	84,45
0S16	0D7343						ACCESSORY SOCKET	180,70
0S17	0D2592				A		MICROSWITCH ASSY SAMIX R	52,27
0S18	0D7743				A		MICROSWITCH	24,00

**Vue éclatée Monte et baisse / Exploded view - Bowl lift /
Explosionszeichnung - Hebe- und Senkvorrichtung _____**



?????? 603747

?????? SPBE5YBE8Y ???????? 12 Exploded view - Bowl lift

.		Alias		S					(Euro)
0090	0D0400							PIN; 10 PCS	23,45
0091	0D0555				D			SCREW; 10 PS	23,14
0092	0KJ760							CROSS STAY BE5 SAMIX	7,11
0093	0D0090							SAMIX R LINK ROD	10,14
0094	0KQ331							BUSHING	3,59
0094	0KQ370		0U0652					WASHER	
0095	0D0648				D			10 PCS CIRCLIPS 14E	19,85
0096	0KL159							NUT; 10 PCS	18,37
0096	0KQ526							SCREW	19,64
0097	000000								See S22
0098	0D0092							BE5 HANDLE	8,12
0099	000000								See S21
0100	0D0553							SCREW; 10 PCS	
0101	0D0084							B7 CAP	
0102	0KQ523							NUT; 10 PCS	18,90
0103	0D0503							NUT; 10 PCS	18,90
0104	0D1702				D			SCREW; 10 PCS	20,17
0105	0D0089				D			CRADLE POST BE5	28,72
0106	0D1615		0D0867					SPATULA	
0107	0D0620							BM10 WASHER 24X6.2X2; 10 PCS	44,86
0108	0D0499							SCREW; SET 10PCS; M6X16 INOX	20,06
0109	000000								See S25
0110	0D2878							WASHER SET CS L6 (X10) TR17	21,92
0111	653757							S/S WHISK FOR 5LT MIXER	100,50
0111	653769							S/S WHISK FOR 8LT MIXER	133,10
0112	653756							S/S PADDLE FOR 5LT MIXER	87,36
0112	653768							S/S PADDLE FOR 8LT MIXER	103,00
0113	653765							S/S SPIRAL DOUGH HOOK FOR 5LT MIXER	87,36
0113	653767							S/S SPIRAL DOUGH HOOK FOR 8LT MIXER	101,50
0114	653295							BOWL FOR 5LT MIXER	147,70
0114	653766							S/S BOWL FOR 8LT MIXER	195,50
0115	0D7344				S			SCREEN PROTECTION; BE5 BE8	67,80
0116	653781							CLOSED SPLASH GUARD - BE5/8 WITHOUT HUB	221,50
0116	653782							CLOSED SPLASH GUARD - BE5/8 WITH HUB	221,50
0S20	0D2595							CRANK HANDLE LINK ROD ASSY SAMIX R	53,90
0S21	0D7345							SCREEN PIN ASSEMBLY; BE5 BE8	44,25

??????	603747								
??????	SPBE5YBE8Y	????????	12	Exploded view - Bowl lift					
.		Alias		S			.		(Euro)
0S22	0D7346							CAM; ASSY; BE5 BE8	25,38
0S23	0D2593				D			PINS ASSY SAMIX R	80,29
0S24	0D0867							BE5 CRADLE	85,46
0S25	0D7347							CRADLE ASSEMBLY; BE8	149,20



PLATON SERVICE

8 (800) 500-34-41

www.platonservice.com